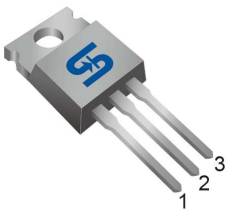
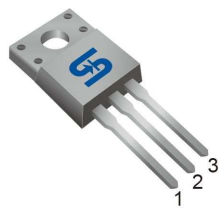




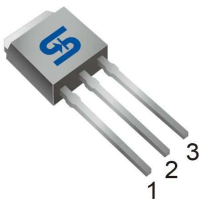
TO-220



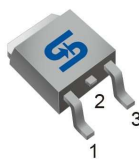
ITO-220



TO-251 (IPAK)



TO-252 (DPAK)



Pin Definition:

1. Gate
2. Drain
3. Source

PRODUCT SUMMARY

V _{DS} (V)	R _{DS(on)} (Ω)	I _D (A)
800	4.2 @ V _{GS} =10V	1.5

General Description

The TSM3N80 N-Channel Power MOSFET is produced by new advance planar process. This advanced technology has been especially tailored to minimize on-state resistance, provide superior switching performance, and withstand high energy pulse in the avalanche and commutation mode.

Features

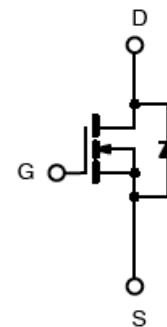
- Low R_{DS(ON)} 3.3Ω (Typ.)
- Low gate charge typical @ 19nC (Typ.)
- Low Crss typical @ 10.2pF (Typ.)
- Improved dv/dt capability

Ordering Information

Part No.	Package	Packing
TSM3N80CH C5G	TO-251	75pcs / Tube
TSM3N80CP ROG	TO-252	2.5Kpcs / 13" Reel
TSM3N80CZ C0	TO-220	50pcs / Tube
TSM3N80CI C0	ITO-220	50pcs / Tube

Note: "G" denotes for Halogen Free

Block Diagram



N-Channel MOSFET

Absolute Maximum Rating (T_a = 25°C unless otherwise noted)

Parameter	Symbol	Limit			Unit
		IPAK/DPAK	ITO-220	TO-220	
Drain-Source Voltage	V _{DS}	800			V
Gate-Source Voltage	V _{GS}	±30			V
Continuous Drain Current	I _D	T _C = 25°C			A
		T _C = 100°C			A
Pulsed Drain Current *	I _{DM}	12			A
Single Pulse Avalanche Energy (Note 2)	E _{AS}	283			mJ
Avalanche Current (Repetitive) (Note 1)	I _{AR}	3			A
Repetitive Avalanche Energy (Note 1)	E _{AR}	9.4			mJ
Peak Diode Recovery dv/dt (Note 3)	dv/dt	4.5			V/ns
Total Power Dissipation @ T _C = 25°C	P _{TOT}	94	32	94	W
Operating Junction Temperature	T _J	150			°C
Storage Temperature Range	T _{STG}	-55 to +150			°C

Note: Limited by maximum junction temperature

Thermal Performance

Parameter	Symbol	IPAK/DPAK	ITO-220	TO-220	Unit
Thermal Resistance - Junction to Case	$R\theta_{JC}$	1.33	3.9	1.33	°C/W
Thermal Resistance - Junction to Ambient	$R\theta_{JA}$	110	62.5		

Electrical Specifications (Ta = 25°C unless otherwise noted)

Parameter	Conditions	Symbol	Min	Typ	Max	Unit
Static						
Drain-Source Breakdown Voltage	$V_{GS} = 0V, I_D = 250\mu A$	BV_{DSS}	800	--	--	V
Drain-Source On-State Resistance	$V_{GS} = 10V, I_D = 1.5A$	$R_{DS(ON)}$	--	3.3	4.2	Ω
Gate Threshold Voltage	$V_{DS} = V_{GS}, I_D = 250\mu A$	$V_{GS(TH)}$	2	--	4	V
Zero Gate Voltage Drain Current	$V_{DS} = 800V, V_{GS} = 0V$	I_{DSS}	--	--	10	μA
Gate Body Leakage	$V_{GS} = \pm 30V, V_{DS} = 0V$	I_{GSS}	--	--	± 100	nA
Forward Transfer Conductance	$V_{DS} = 30V, I_D = 1.5A$	g_{fs}	--	3.7	--	S
Dynamic						
Total Gate Charge	$V_{DS} = 640V, I_D = 3A,$ $V_{GS} = 10V$ (Note 4,5)	Q_g	--	19	--	nC
Gate-Source Charge		Q_{GS}	--	4	--	
Gate-Drain Charge		Q_{gd}	--	7.6	--	
Input Capacitance	$V_{DS} = 25V, V_{GS} = 0V,$ $f = 1.0MHz$	C_{iss}	--	696	--	pF
Output Capacitance		C_{oss}	--	65	--	
Reverse Transfer Capacitance		C_{rss}	--	10.2	--	
Switching						
Turn-On Delay Time	$V_{GS} = 10V, I_D = 3A,$ $V_{DD} = 400V, R_G = 25\Omega$ (Note 4,5)	$t_{d(on)}$	--	48	--	nS
Turn-On Rise Time		t_r	--	36	--	
Turn-Off Delay Time		$t_{d(off)}$	--	106	--	
Turn-Off Fall Time		t_f	--	41	--	
Source-Drain Diode Ratings and Characteristic						
Source Current	Integral reverse diode in the MOSFET	I_S	--	--	3	A
Source Current (Pulse)		I_{SM}	--	--	12	A
Diode Forward Voltage	$I_S = 3A, V_{GS} = 0V$	V_{SD}	--	--	1.5	V
Reverse Recovery Time	$V_{GS} = 0V, I_S = 3A,$ $di_f/dt = 100A/\mu s$	t_{fr}	--	370	--	nS
Reverse Recovery Charge		Q_{fr}	--	1.8	--	μC

Note 1: Repetitive Rating: Pulse Width Limited by Maximum Junction Temperature

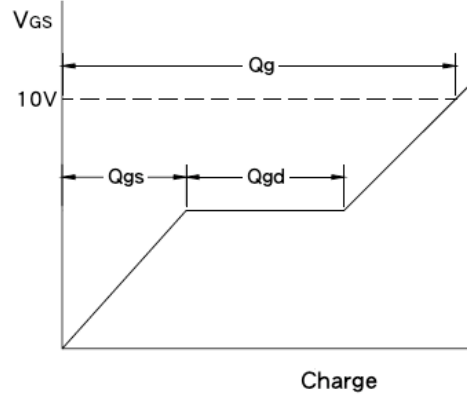
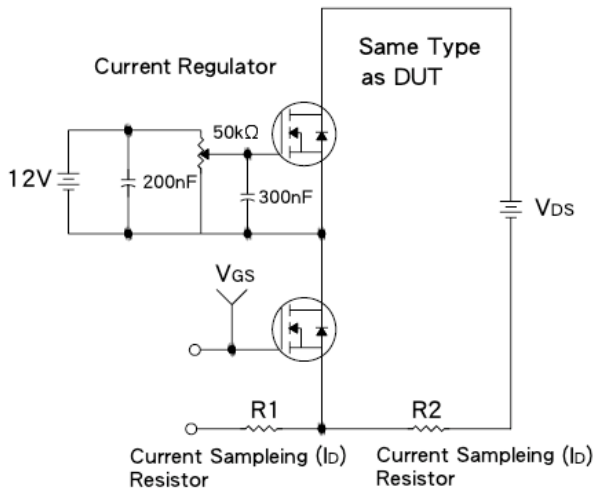
Note 2: $V_{DD} = 50V, I_{AS} = 3A, L = 59mH, R_G = 25\Omega$, Starting $T_J = 25^\circ C$

Note 3: $I_{SD} \leq 4A, di/dt \leq 200A/\mu s, V_{DD} \leq BV_{DSS}$, Starting $T_J = 25^\circ C$

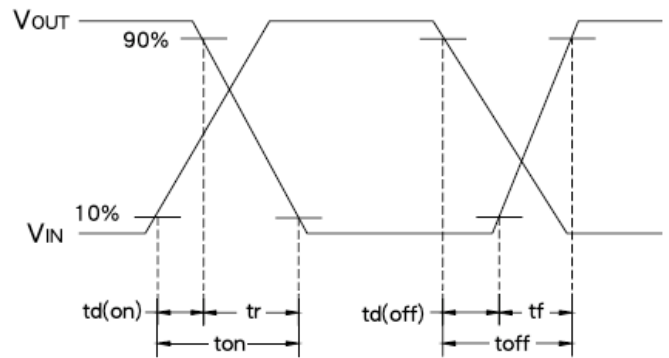
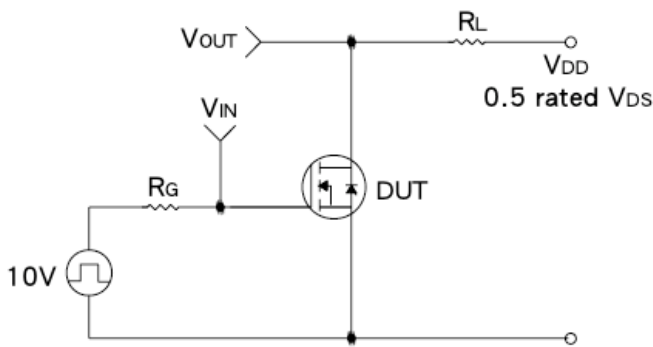
Note 4: Pulse test: pulse width $\leq 300\mu s$, duty cycle $\leq 2\%$

Note 5: Essentially Independent of Operating Temperature

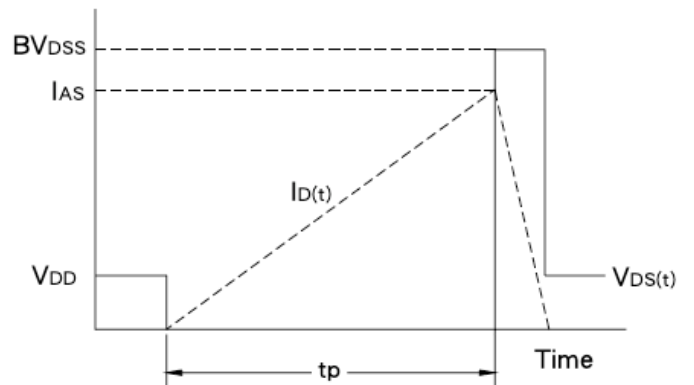
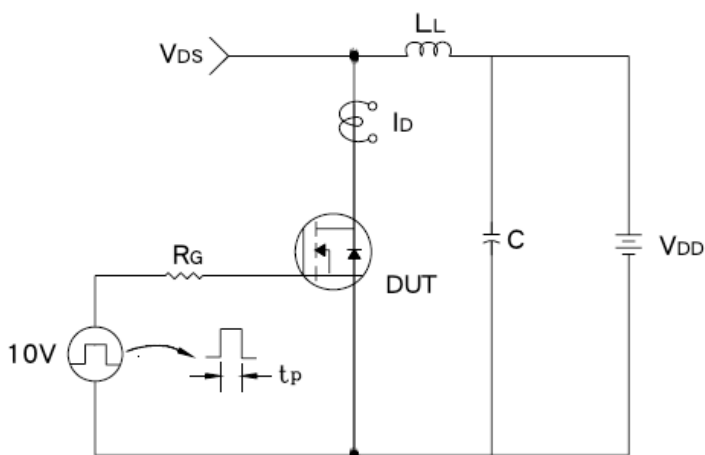
Gate Charge Test Circuit & Waveform



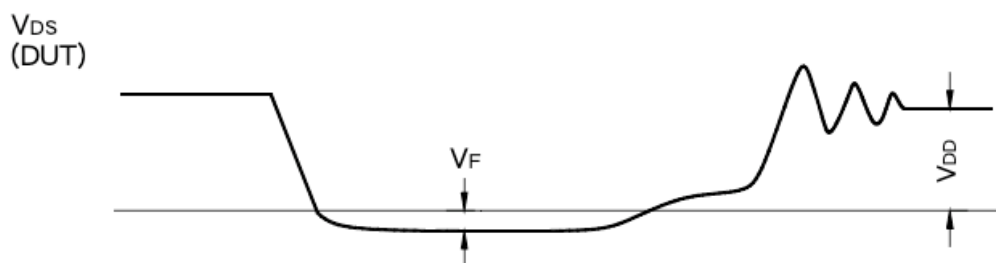
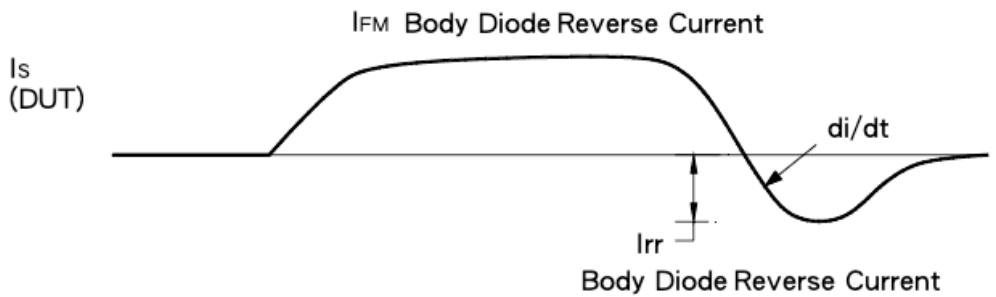
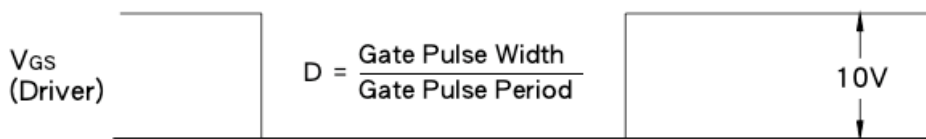
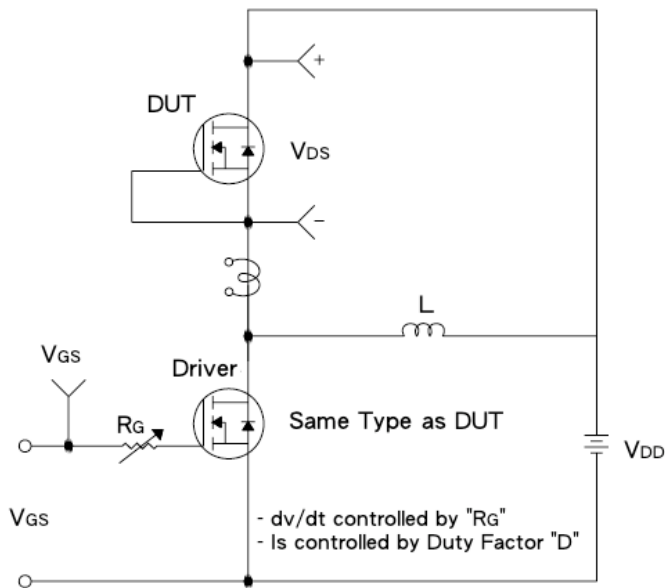
Resistive Switching Test Circuit & Waveform



E_{AS} Test Circuit & Waveform



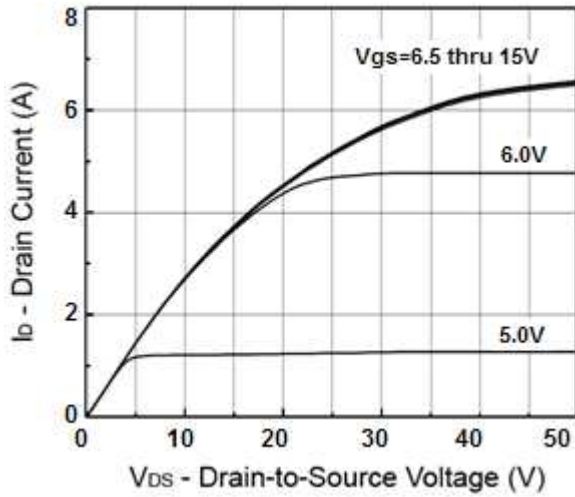
Diode Reverse Recovery Time Test Circuit & Waveform



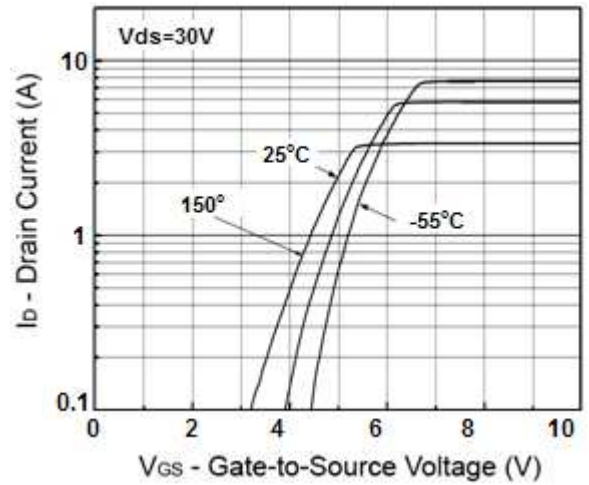


Electrical Characteristics Curve ($T_c = 25^\circ\text{C}$, unless otherwise noted)

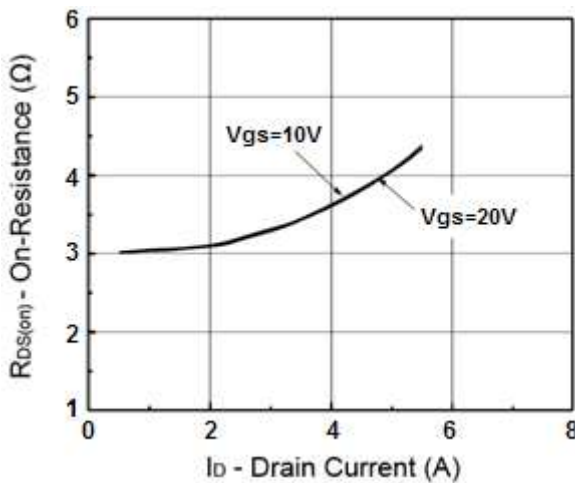
Output Characteristics



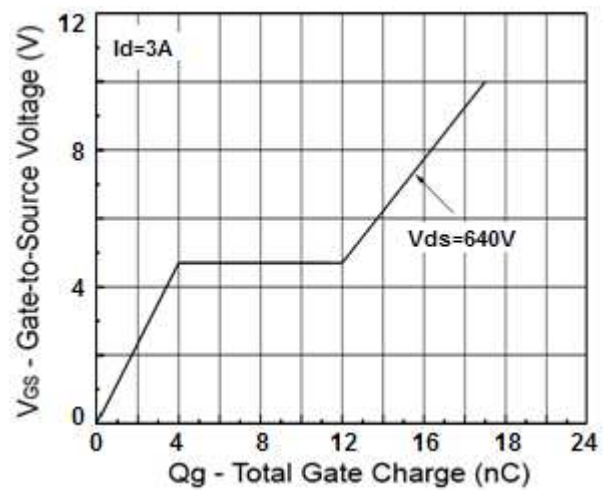
Transfer Characteristics



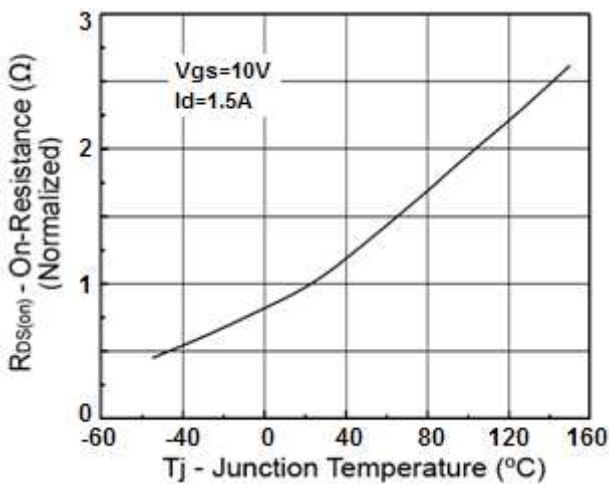
On-Resistance vs. Drain Current



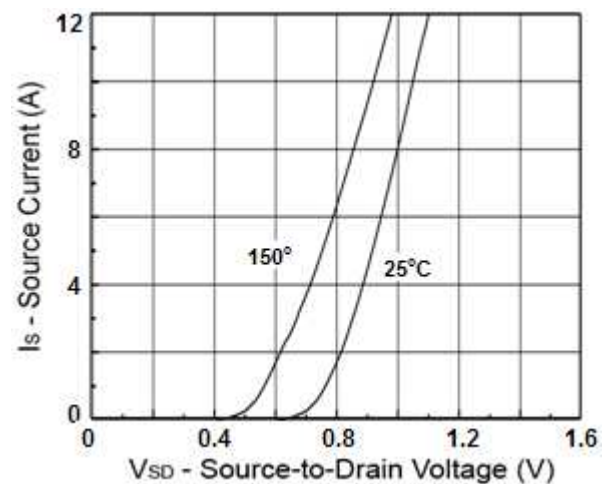
Gate Charge



On-Resistance vs. Junction Temperature

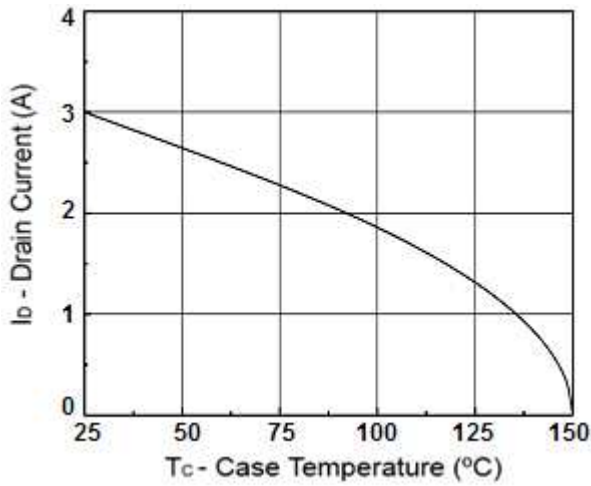


Source-Drain Diode Forward Voltage

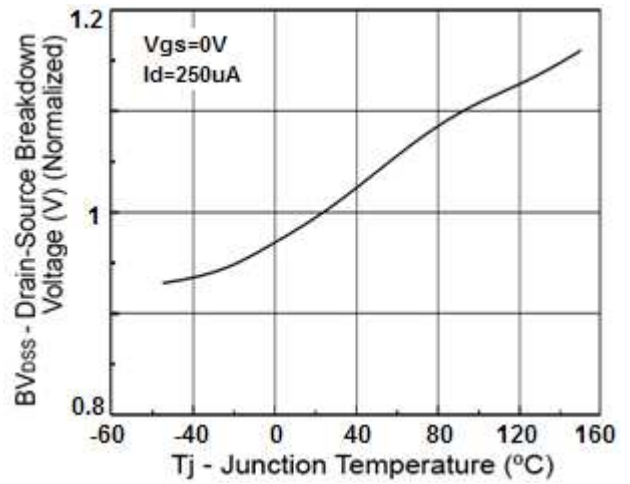


Electrical Characteristics Curve ($T_a = 25^\circ\text{C}$, unless otherwise noted)

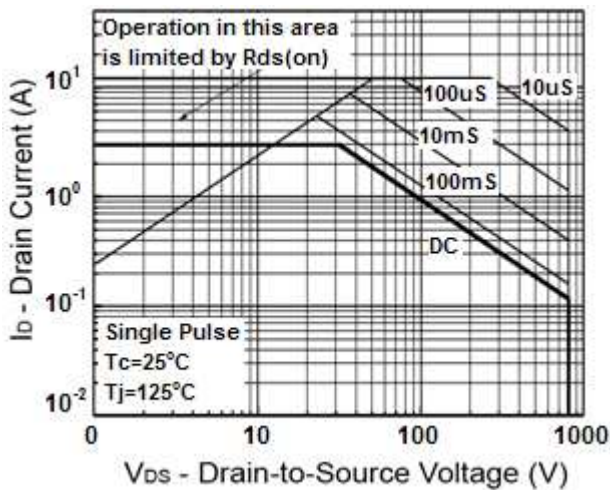
Drain Current vs. Case Temperature



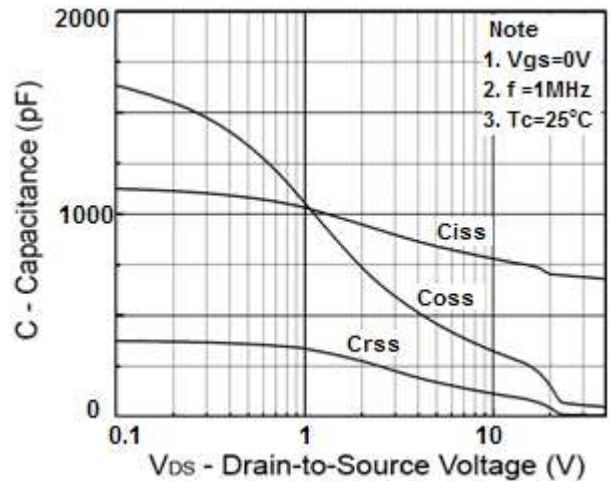
BV_{DSS} vs. Junction Temperature



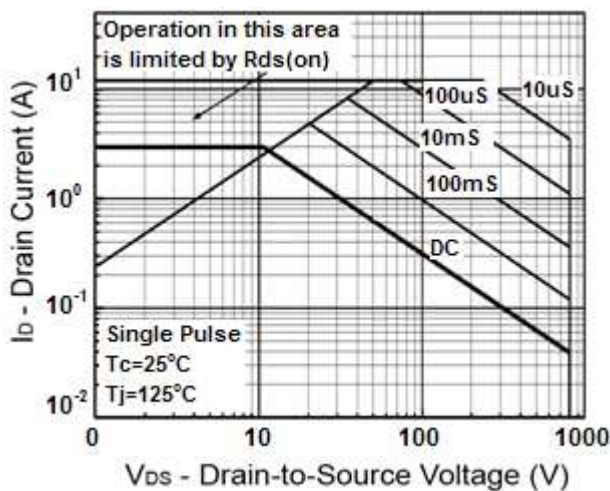
Maximum Safe Operating Area



Capacitance vs. Drain-Source Voltage

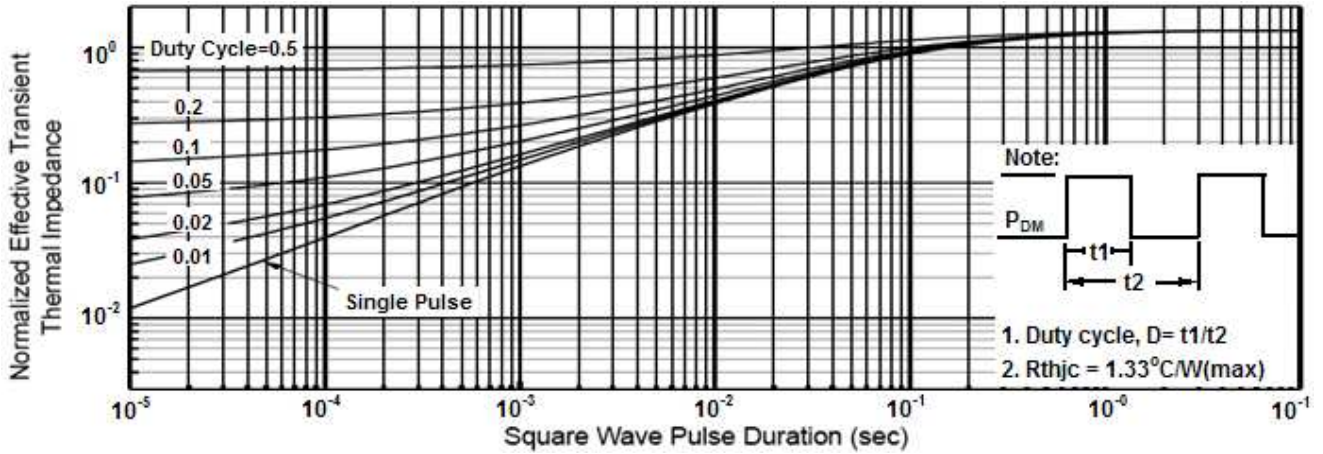


Maximum Safe Operating Area (ITO-220)

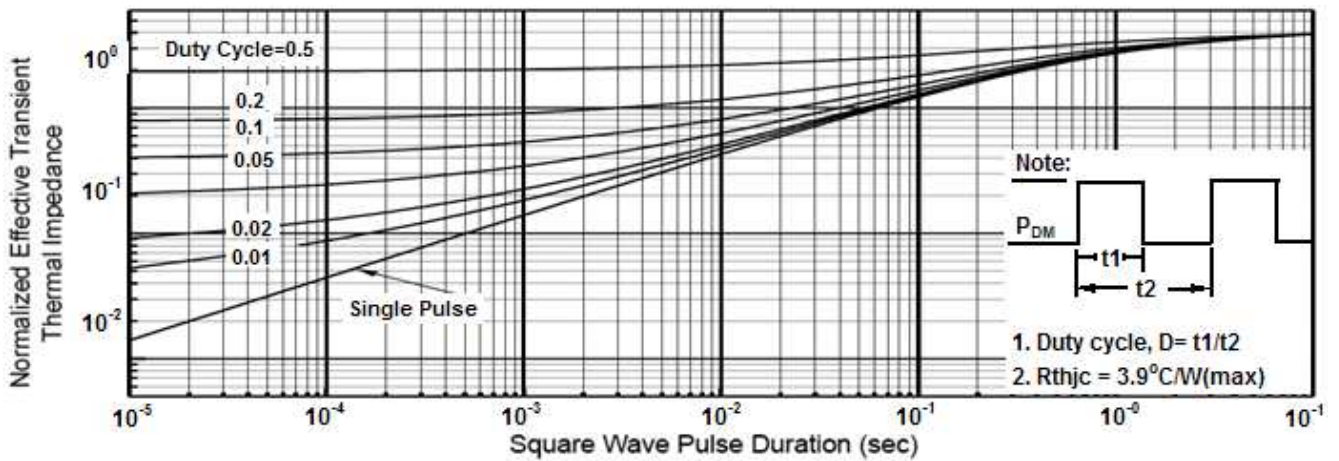


Electrical Characteristics Curve ($T_a = 25^\circ\text{C}$, unless otherwise noted)

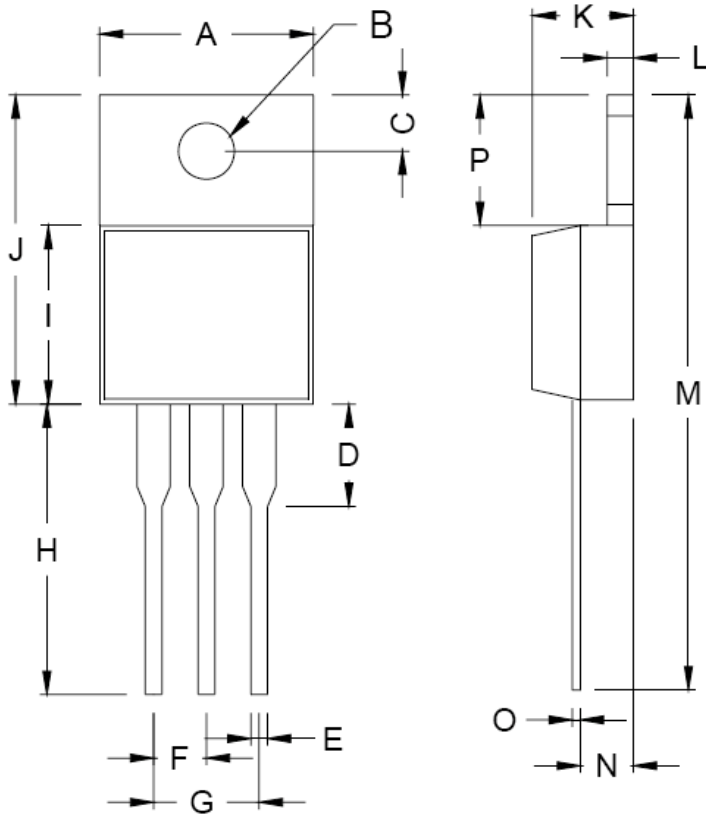
Normalized Thermal Transient Impedance, Junction-to-Ambient



Normalized Thermal Transient Impedance, Junction-to-Ambient (ITO-220)

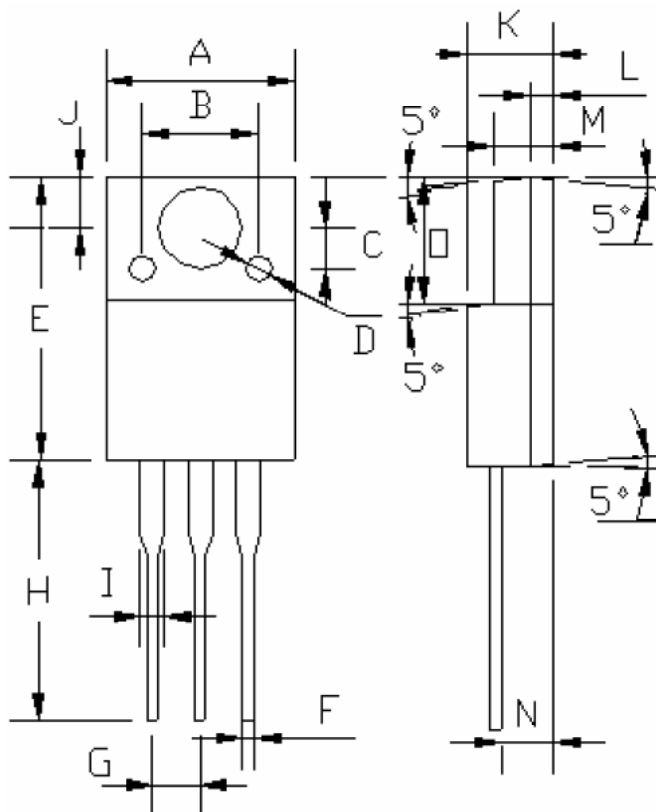


TO-220 Mechanical Drawing



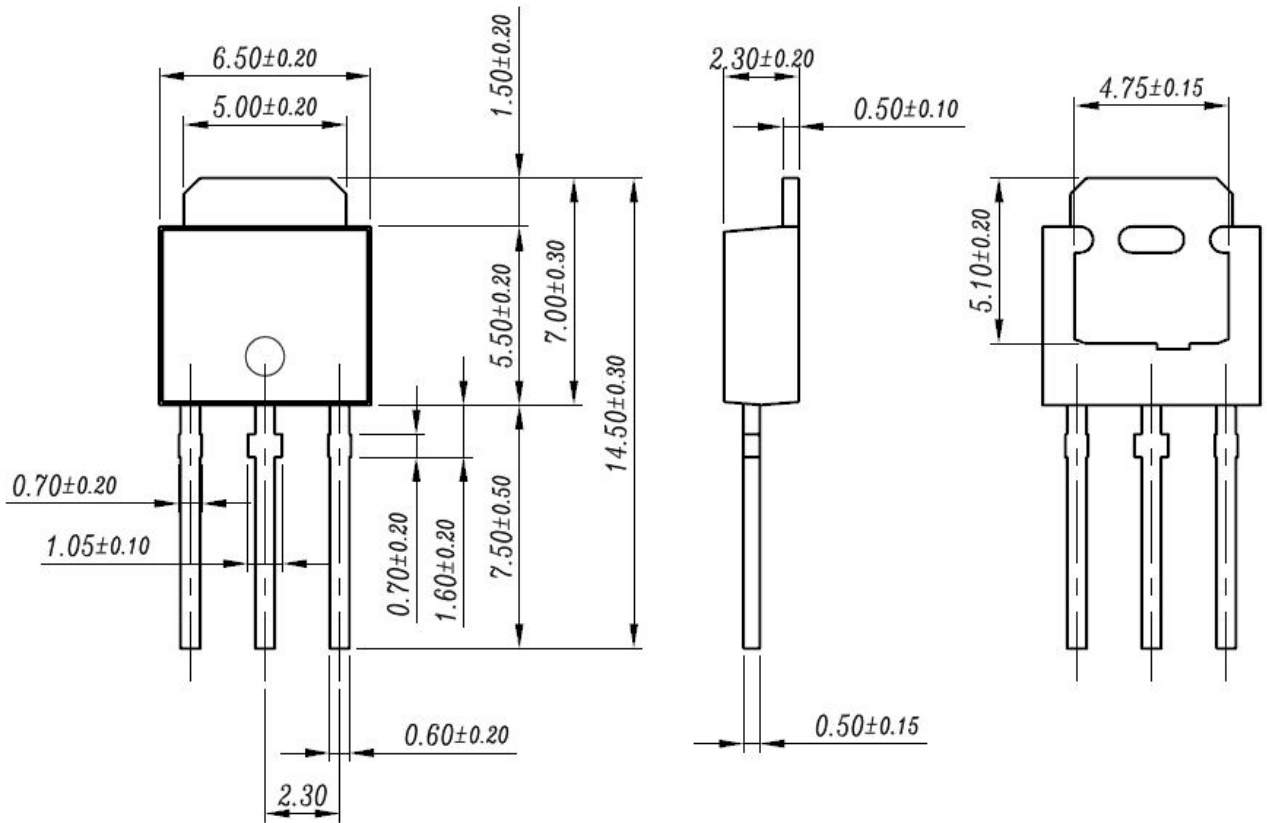
DIM	TO-220 DIMENSION			
	MILLIMETERS		INCHES	
	MIN	MAX	MIN	MAX
A	10.00	10.50	0.394	0.413
B	3.74	3.91	0.147	0.154
C	2.44	2.94	0.096	0.116
D	--	6.35	--	0.250
E	0.38	1.10	0.015	0.043
F	2.34	2.71	0.092	0.107
G	4.69	5.43	0.185	0.214
H	12.70	14.73	0.500	0.580
J	8.38	9.38	0.330	0.369
K	14.22	16.51	0.560	0.650
L	3.55	4.82	0.140	0.190
M	1.16	1.40	0.046	0.055
N	27.70	29.62	1.091	1.166
O	2.03	2.92	0.080	0.115
P	0.25	0.61	0.010	0.024

ITO-220 Mechanical Drawing

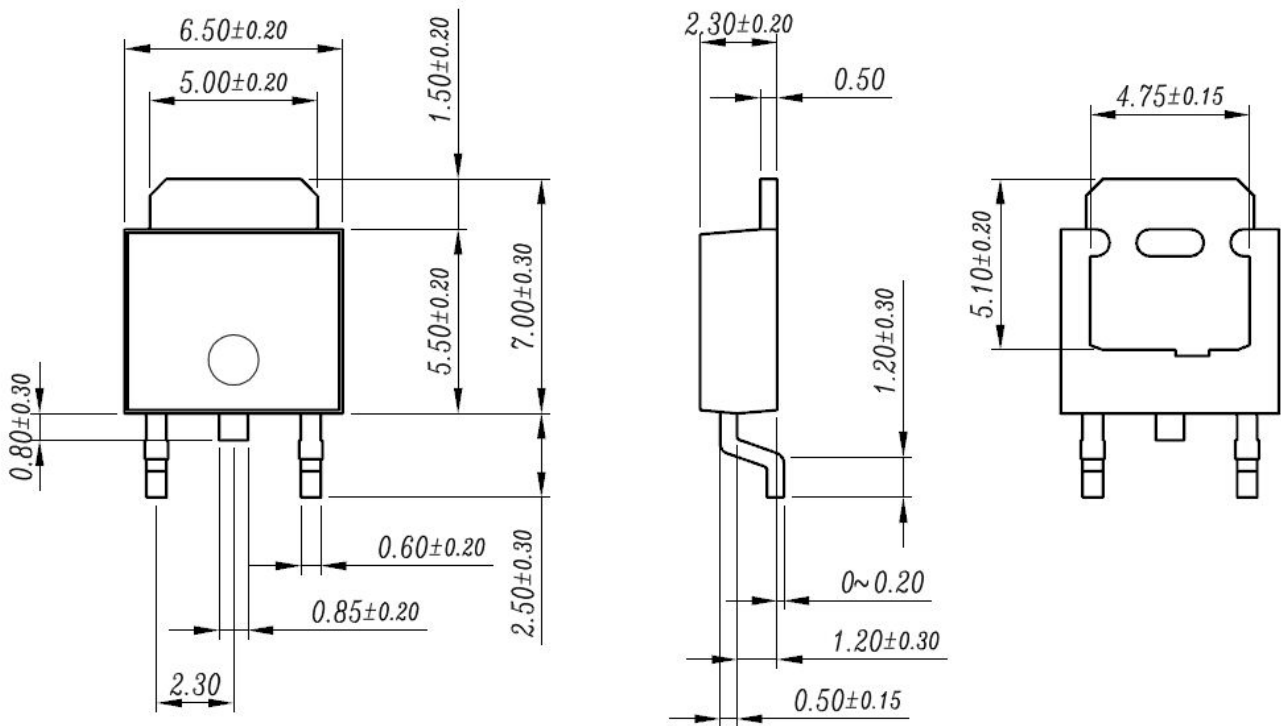


ITO-220 DIMENSION				
DIM	MILLIMETERS		INCHES	
	MIN	MAX	MIN	MAX
A	10.04	10.07	0.395	0.396
B	6.20 (typ.)		0.244 (typ.)	
C	2.20 (typ.)		0.087 (typ.)	
D	∅ 1.40 (typ.)		∅ 0.055 (typ.)	
E	15.0	15.20	0.591	0.598
F	0.52	0.54	0.020	0.021
G	2.35	2.73	0.093	0.107
H	13.50	13.55	0.531	0.533
I	1.11	1.49	0.044	0.058
J	2.60	2.80	0.102	0.110
K	4.49	4.50	0.176	0.177
L	1.15 (typ.)		0.045 (typ.)	
M	3.03	3.05	0.119	0.120
N	2.60	2.80	0.102	0.110
O	6.55	6.65	0.258	0.262

TO-251 Mechanical Drawing



TO-252 Mechanical Drawing



Unit: Millimeters

Notice

Specifications of the products displayed herein are subject to change without notice. TSC or anyone on its behalf, assumes no responsibility or liability for any errors or inaccuracies.

Information contained herein is intended to provide a product description only. No license, express or implied, to any intellectual property rights is granted by this document. Except as provided in TSC's terms and conditions of sale for such products, TSC assumes no liability whatsoever, and disclaims any express or implied warranty, relating to sale and/or use of TSC products including liability or warranties relating to fitness for a particular purpose, merchantability, or infringement of any patent, copyright, or other intellectual property right.

The products shown herein are not designed for use in medical, life-saving, or life-sustaining applications. Customers using or selling these products for use in such applications do so at their own risk and agree to fully indemnify TSC for any damages resulting from such improper use or sale.